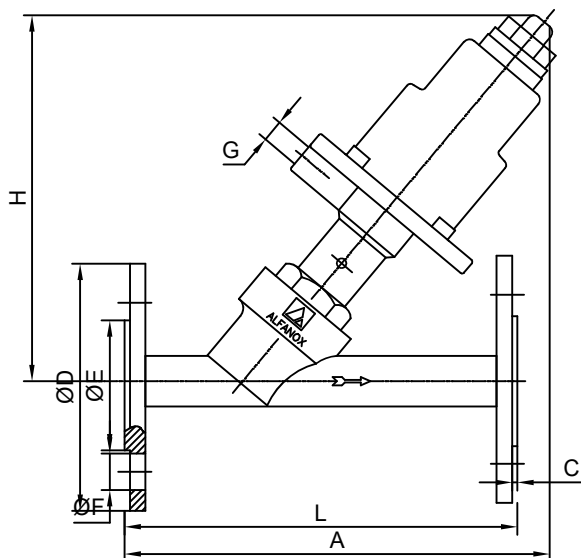


STAINLESS STEEL / ON-OFF FREE FLOW / PNEUMATIC VALVE PN 16 FLANGED

SERIES : 301



APPLICATION

Controls the flow of fluid, steam or gas in the system with the applied pressure.(On-off motion)

SIZES

DN 15 (1/2") / DN 50 (2")

WORKING CHARACTERISTICS

Working pressure (Δp) : Check the chart. (If you need higher working pressures let us know)

Maximum working pressure: 40 bar

Control type: NC - Normally Closed (Standard)

NO - Normally Open (Optional)

DA - Double Acting (Optional)

Control pressure : Minimum 5 bar - Maximum 10 bar

(You can optionally chose lower control pressures)

Fluid temperature : -10°C / 220°C"

Control air temperature : -10°C / 60°C

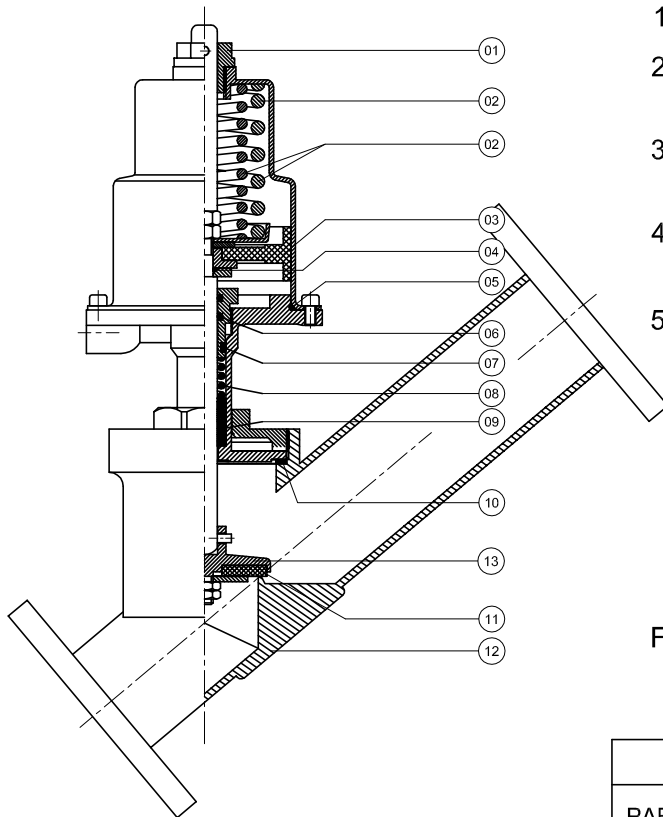
Connection type : PN 16 Flanged

Connection position : On the direction of the arrow / Can be connected horizontally or vertically

DN	PISTON	Δp bar	L	A	H	ØD	ØE	ØF	C	G	KV m ³ /h	WEIGHT (KG)
15	1/2"	Ø 50	130	155	145	95	45	14	2	1/8"	4,9	1,50
		Ø 63		170	170							1,80
		Ø 80		190	185							2,30
20	3/4"	Ø 50	150	160	150	105	58	14	2		7,6	1,70
		Ø 63		175	175							2,00
		Ø 80		195	190							2,40
25	1"	Ø 50	160	170	160	115	68	14	2		13,7	1,70
		Ø 63		185	185							2,10
		Ø 80		195	190							2,70
32	1 1/4"	Ø 63	180	185	180	140	78	18	2		20,7	2,50
		Ø 80		195	195							3,10
		Ø 100		210	205							4,30
40	1 1/2"	Ø 63	200	210	200	150	88	18	3	34,2	3,20	
		Ø 80		220	210						3,90	
		Ø 100		240	230						5,00	
50	2"	Ø 80	230	230	220	165	102	18	3	48,6	4,70	
		Ø 100		250	240						5,80	



ALFANOX



INSTRUCTIONS :

1. Valve can be fitted in any position.
2. Flow direction should be as indicated by an arrow on the body.
3. Working pressure for each size of valve should not be exceed the limits indicated in the chart.
4. Control pressure should not exceed the maximum and should not go lower then the minimum value.
5. CAUTION : Never fasten or remove the assembly nut prior to applying pressurized air.

For the spare part orders, notifying us about the part number at the chart below and also the serial number on the valve are adequate.

SPARE PART LIST

PART NO	PART NAME	MATERIAL
01	UPPER SPINDLE GUIDE	NYLON 66
02	SPRING (SINGLE)	INOX
02	SPRING (DOUBLE)	INOX
02	SPRING (DOUBLE)	STEEL
03	PISTON GROUP	NBR+BRASS
04	PISTON O-RING	NBR
05	CYLINDER O-RING	SILICONE
06	STUFFING BOX O-RING	SILICONE
07	STUFFING BOX GASKET	SILICONE
08	STUFFING BOX SPRING	INOX
09	STUFFING BOX V-CHEVRON	PTFE
10	BODY SEALING GASKET	PTFE / SILICONE
11	SEAT SEAL	EPDM / PTFE / VITON
12	VALVE BODY	AISI 316
13	SEAT SEAL HOLDER	AISI 316

